

MOTION AND MOBILITY



Introduction of ZF-Hungary Ltd.

T-Eger

ZF Hungária Kft.



Technologies, what ZF is looking for

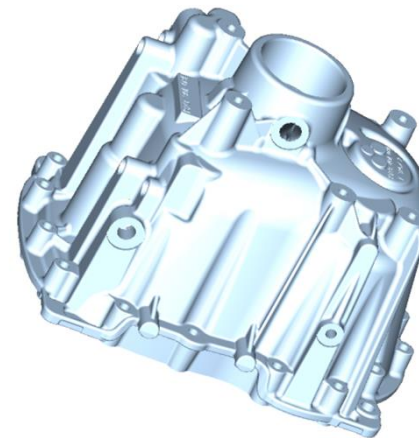
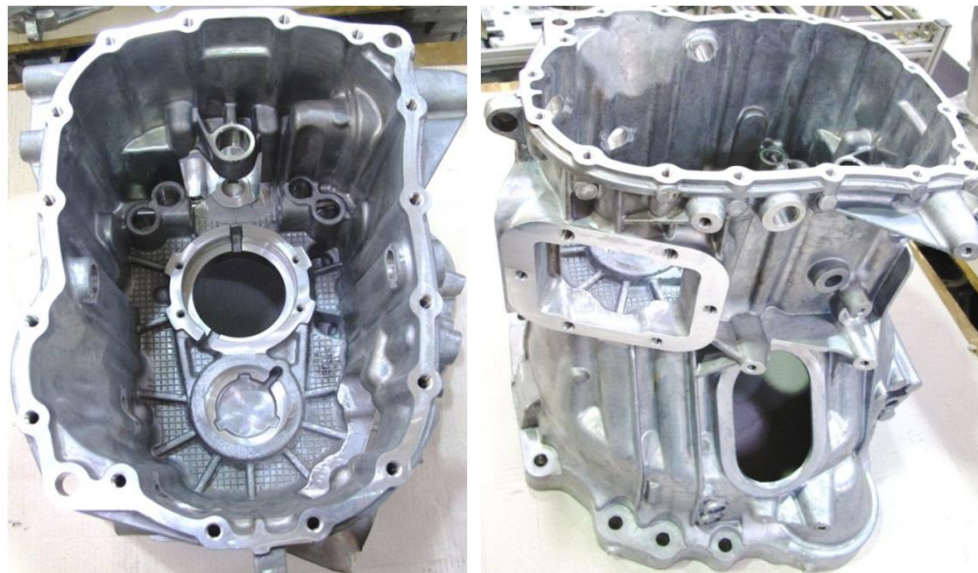


Technology	Size	Quantity	Commodity
Aluminum cast + machining	0,5-32 kg	200-8.000 piece/year	C : Casting Aluminum
Iron casting + machining	1-6 kg	200-8.000 piece/year	I : Iron, steel casting
Fine casting + machining	0,1-1 kg	1.000-60.000 piece/year	I : Iron, steel casting
Forging + machining	0,2-5 kg	500-15.000 piece/year	F : Forgings
Turning: -clutch body -gears -shaft	Ø110-240/2-15 kg 400-600 mm/15-25 kg	200-8.000 piece/year	F : Forgings
Machined parts	0,2-5 kg	500-15.000 piece/year	M : Machined parts
Deep drawing	10-60 dkg	5.000-40.000 piece/year	D : Sheet metal forming
Stamping, Fine blanking	10-60 dkg	5.000-40.000 piece/year	D : Sheet metal forming

C: Casting Aluminum



Technology	Size	Quantity	Commodity
Aluminum cast + machining	0,5-32 kg	200-8.000 piece/year	C: Casting Aluminum



I: Iron, steel casting and machining



Technology	Size	Quantity	Commodity
Iron casting + machining	1-6 kg	200-8.000 piece/year	! Iron, steel casting
Fine casting + machining	0,1-1 kg	1.000-60.000 piece/year	! Iron, steel casting



F: Forging - machining



Technology	Size	Quantity	Commodity
Forging + machining	0,2-5 kg	500-15.000 piece/year	F: Forgings
Turning: -clutch body -gears -shaft	Ø110-240/2-15 kg 400-600 mm/15-25 kg	200-8.000 piece/year	F: Forgings



F: Forging . turning (shafts, gears, clutch body)



Technology	Size	Quantity	Commodity
Forging + machining	0,2-5 kg	500-15.000 piece/year	F: Forgings
Turning: -clutch body -gears -shaft	Ø110-240/2-15 kg 400-600 mm/15-25 kg	200-8.000 piece/year	F: Forgings



Turning



Forging



Turning



Turning



Finished

M: Machined parts



Technology	Size	Quantity	Commodity
Machined parts	0,2-5 kg	500-15.000 piece/year	M: Machined parts



D: Sheet metal forming . Stamping, fine blanking, deep drawing



Technology	Size	Quantity	Commodity
Deep drawing	10-60 dkg	5.000-40.000 piece/year	D: Sheet metal forming
Stamping, Fine blanking	10-60 dkg	5.000-40.000 piece/year	D: Sheet metal forming



Thank you for your attention!



ZF Friedrichshafen AG behält sich sämtliche Rechte an den gezeigten technischen Informationen einschließlich der Rechte zur Hinterlegung von Schutzrechtsanmeldungen und an daraus entstehenden Schutzrechten im In- und Ausland vor.
ZF Friedrichshafen AG reserves all rights regarding the shown technical information including the right to file industrial property right applications and the industrial property rights resulting from these in Germany and abroad.